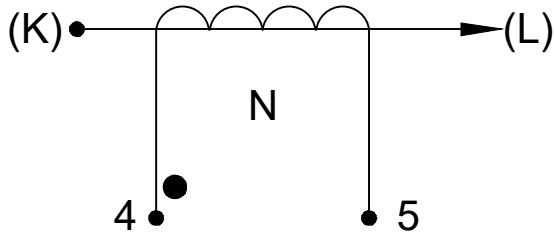




Product Type	PCB Mountable Current Transformer		
GT Part Number	L01-6203 & 6205	Index	
Customer Part Number	-----		
Customer	SCHUKAT		
Place of Manufacture	GT Electronic India		

### SCHEMATIC:

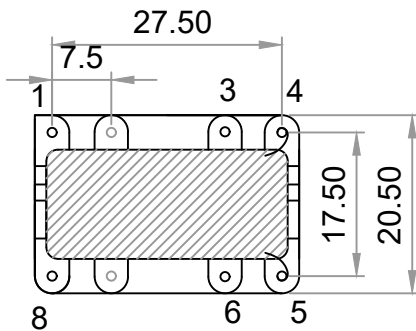


### TECHNICAL DATA:

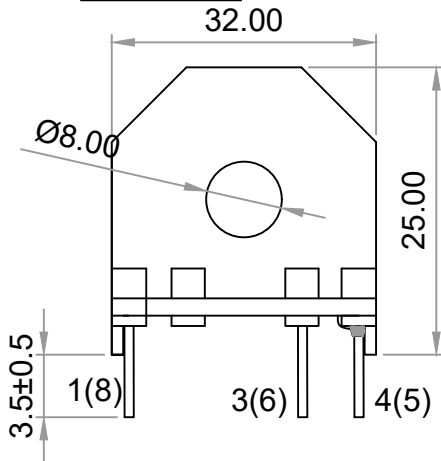
- ◆ Operating Frequency = 50/60Hz
- ◆ Operating Temp. Range = -40°C to +120°C
- ◆ Prim. to Sec. Isolation = 2.5kV / 50Hz / 2Sec

### MECHANICAL SPECIFICATION:

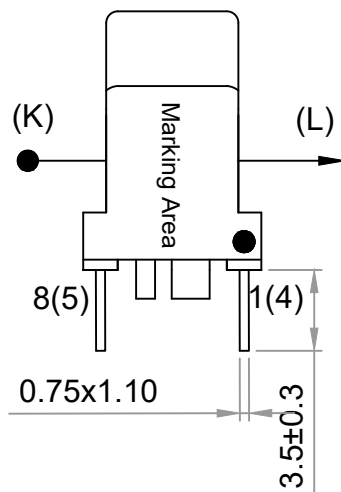
Bottom / Pin Side View:



Front View:



Side View:




GT Part No.	Input Current (Ip) in Amps	Rated Load Burden (Rb) in Ohm	Output Voltage (Us) in Vtg
L01-6203	50	220	100 ±10%
L01-6205	100	220	128 ±10%

GT Part No.	Marking information	Weight in g / pc	Packing Qty in pcs
L01-6203	L01-6203 GT YY/WK	7	150
L01-6205	L01-6205 GT YY/WK	7	150

All Dimensions are in mm  
Linear Dimensional Tolerance ±0.2mm

Note : Pin#1, #3, #6 & #8 → Un-Used Pin

 This product may contain harmful substances, it may require proper disposal subject to statutory & regulatory laws defined by the local governance of its own country/region as applicable at the time of disposal.

Date:	Approval of Customer:				
-----Initial Issue-----	1	0	D.Kirubakaran	-	08-08-2024
Changes	Issue	Rev	Prepared	Reviewed	Date